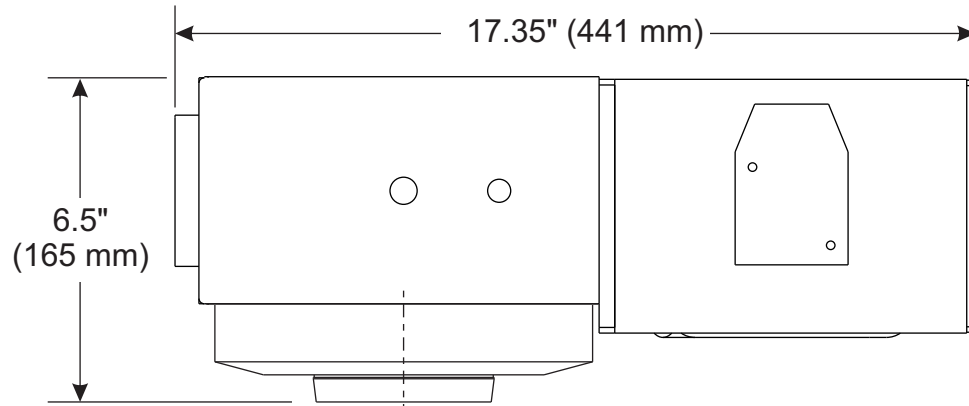
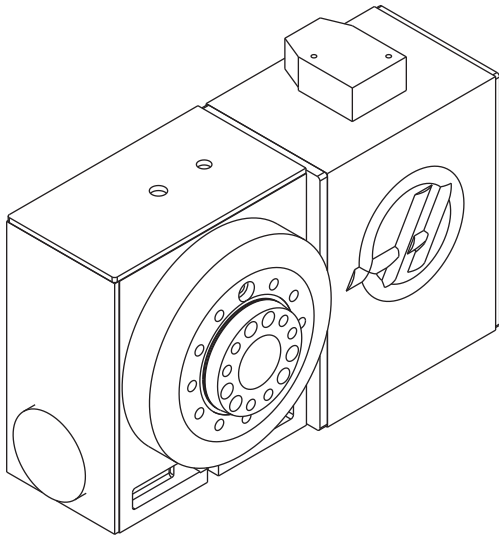
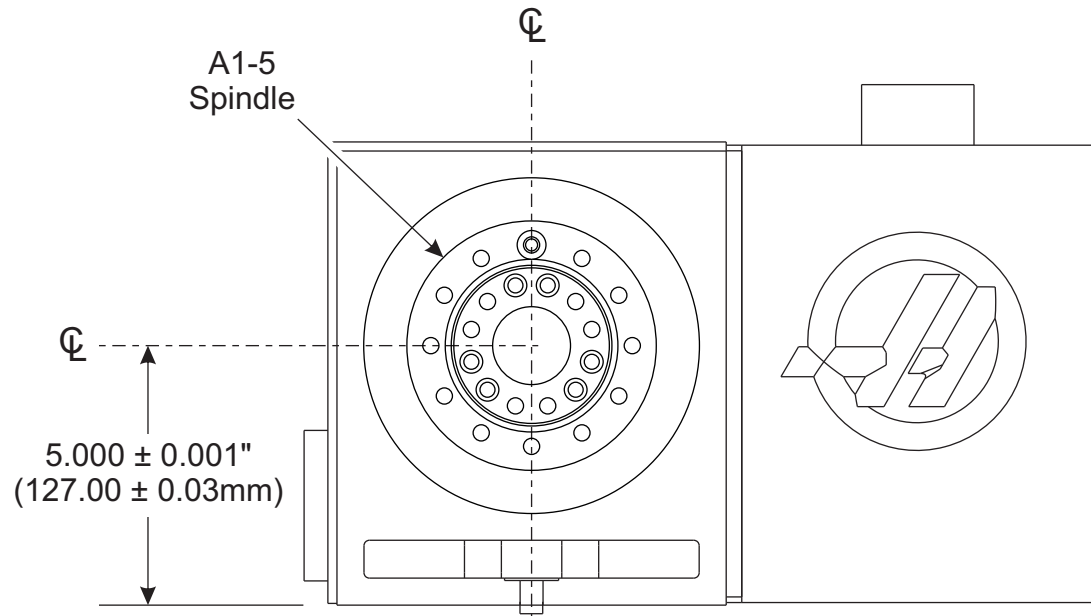
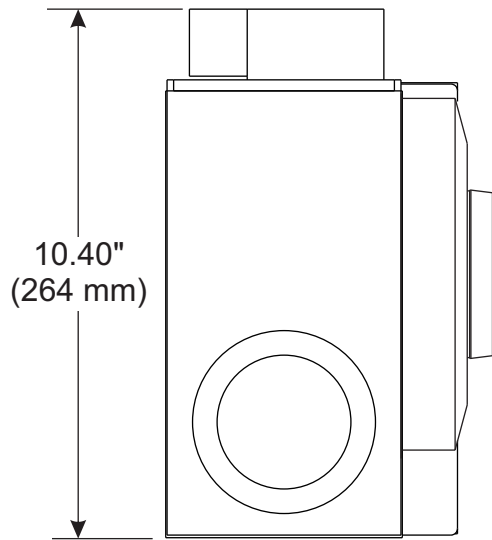


# HRTA5 Machine Layout Drawing



**Top View**



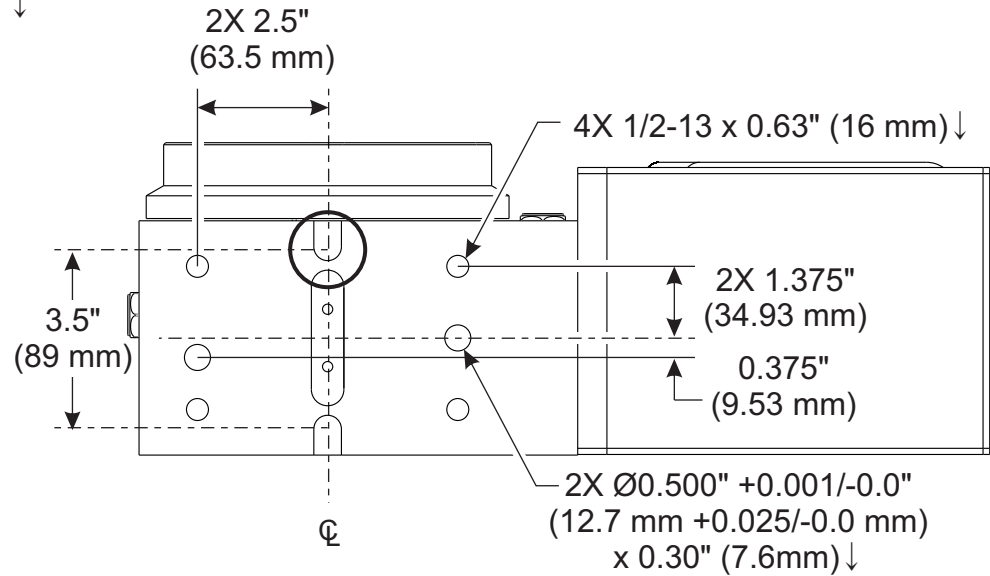
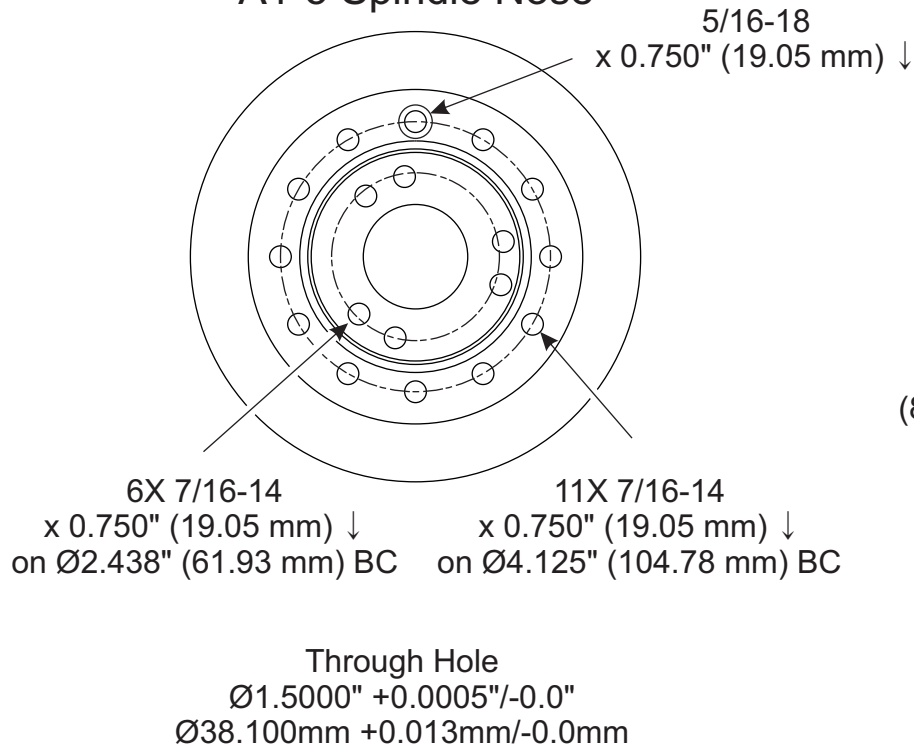
LOCATING KEYWAY → | ←  
0.625" + 0.001"/-0.0"  
(15.88mm +0.03/-0.0mm)

**Front View**

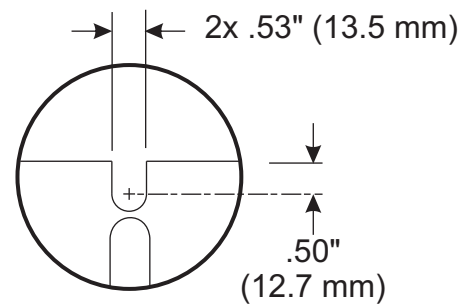


# HRTA5 Machine Layout Drawing

## HRTA5 Platter A1-5 Spindle Nose



## Bottom View



Front and Rear  
Tie-Down Slots

For mounting instructions,  
see Rotary Operator's Manual.

Go to [www.haascnc.com](http://www.haascnc.com)  
for further rotary specifications.

