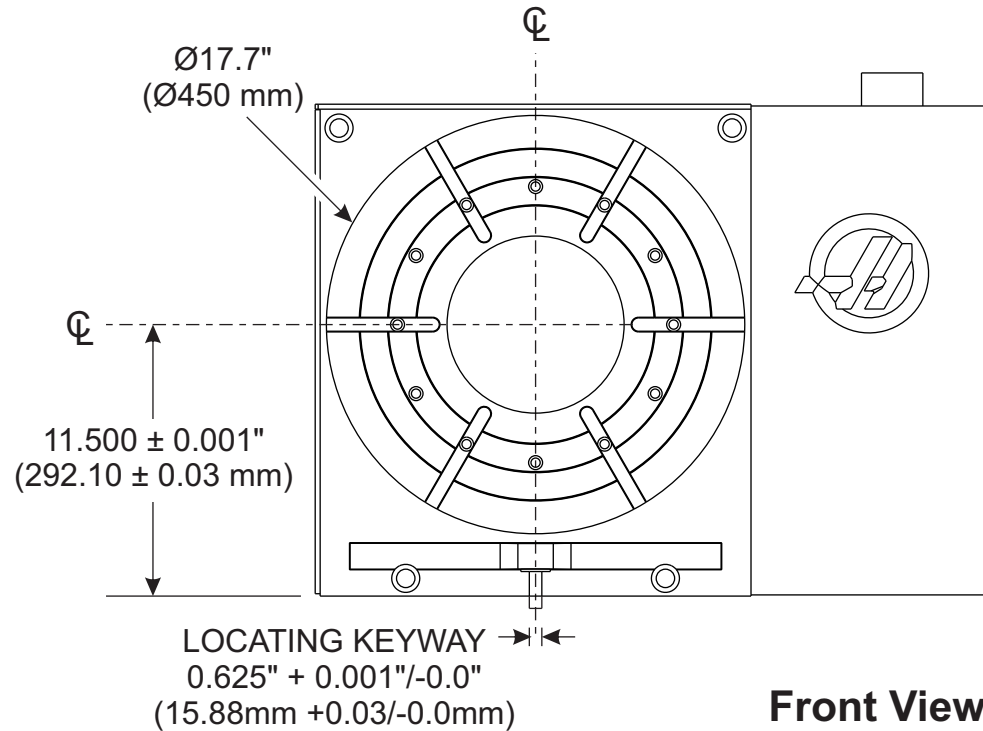
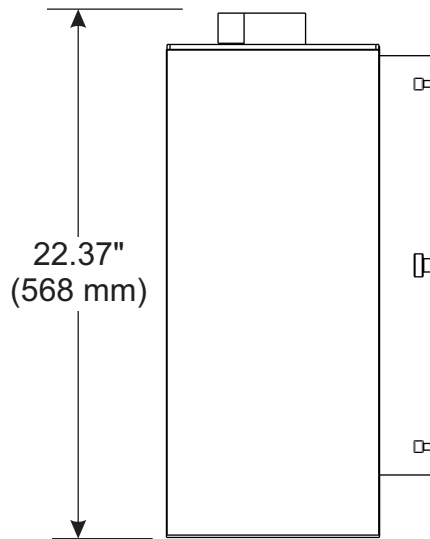
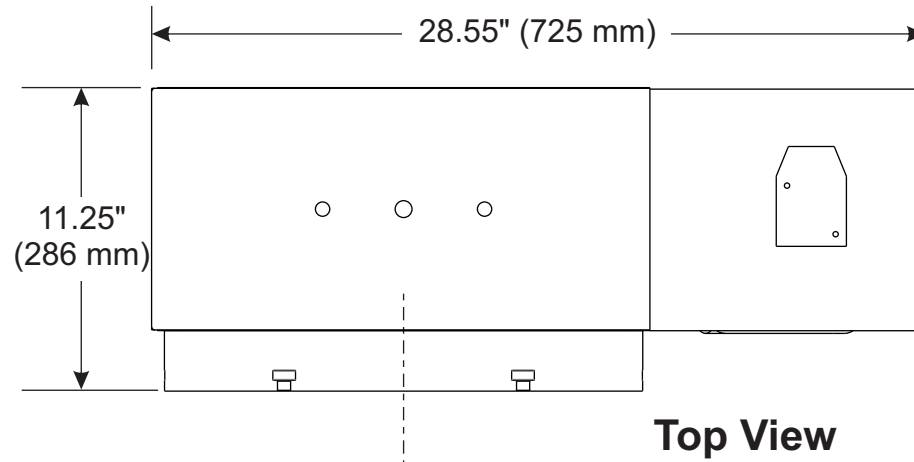
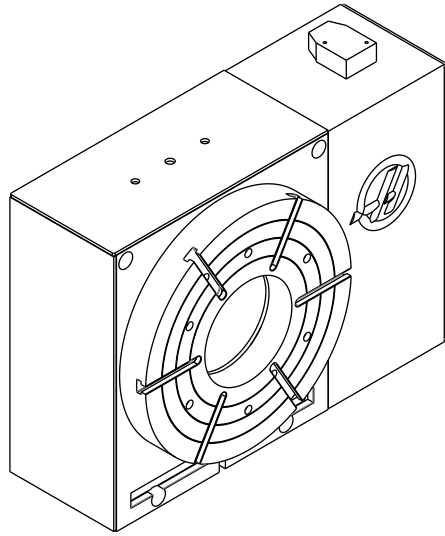
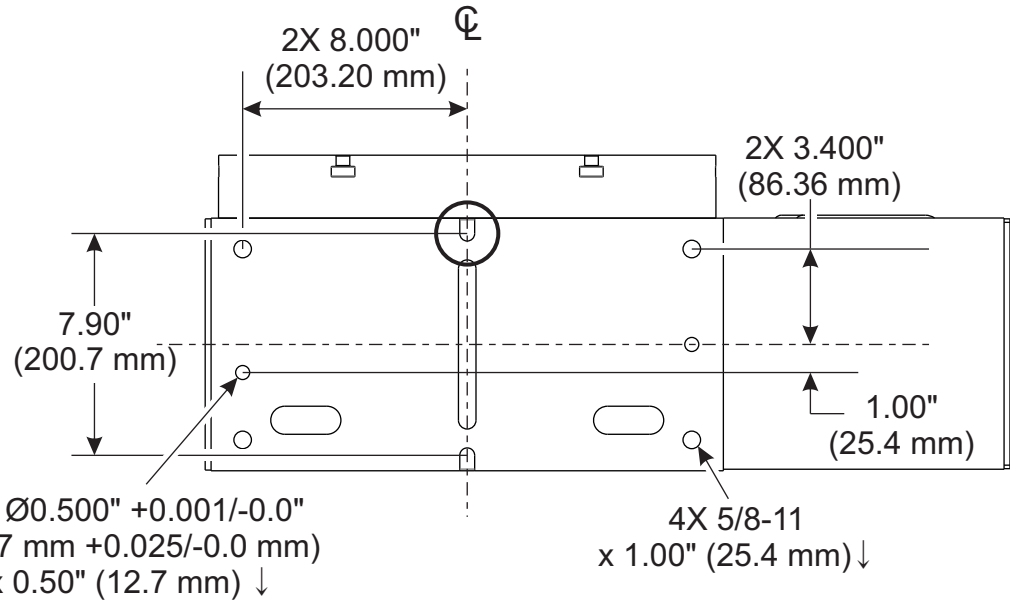
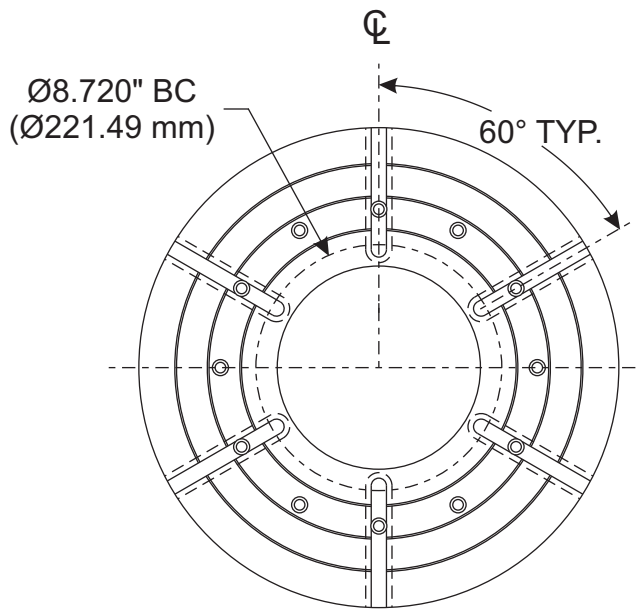


HRT450 Machine Layout Drawing

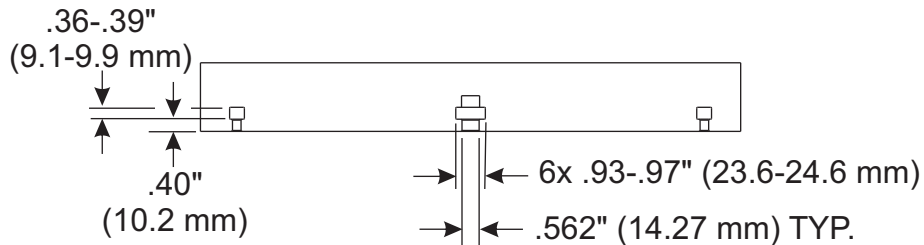


HRT450 Machine Layout Drawing

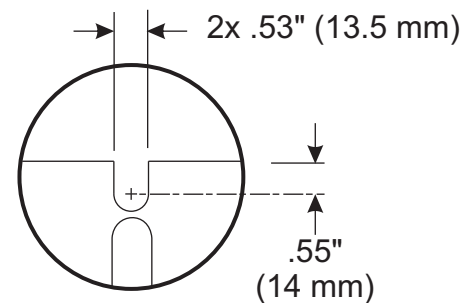
HRT450 Platter Dimensions



Through Hole
 $\text{Ø}7.500'' +0.001''/-0.0''$
 $\text{Ø}190.50 \text{ mm} +0.03 \text{ mm}/-0.0 \text{ mm}$



Bottom View



Front and Rear
 Tie-Down Slots

For mounting instructions,
 see Rotary Operator's Manual.

Go to www.haascnc.com
 for further rotary specifications.

