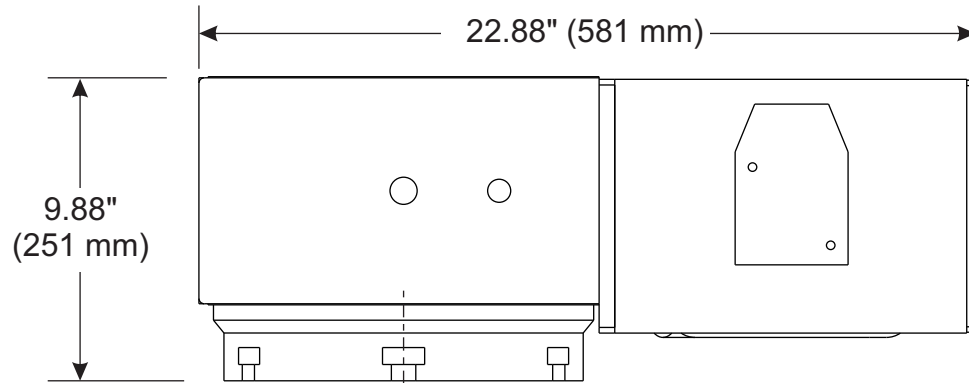
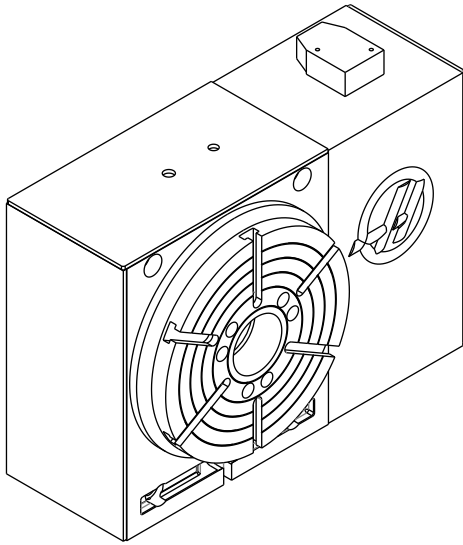
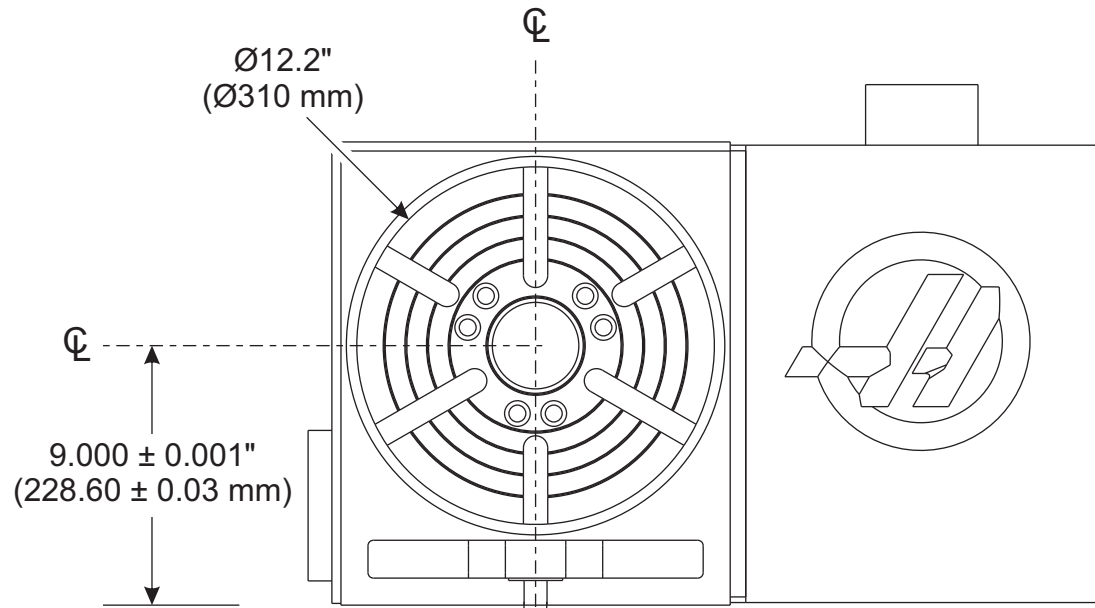
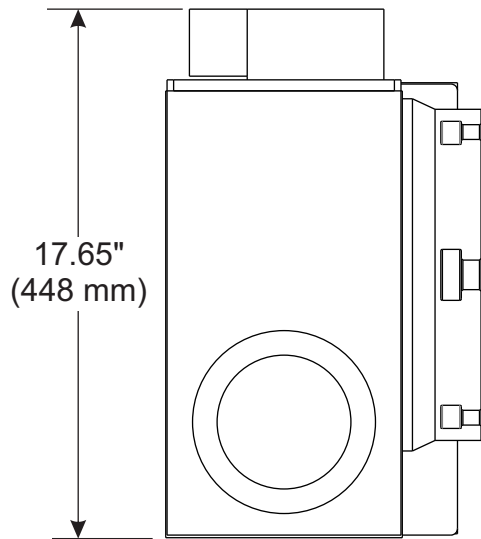


HRT310 Machine Layout Drawing



Top View

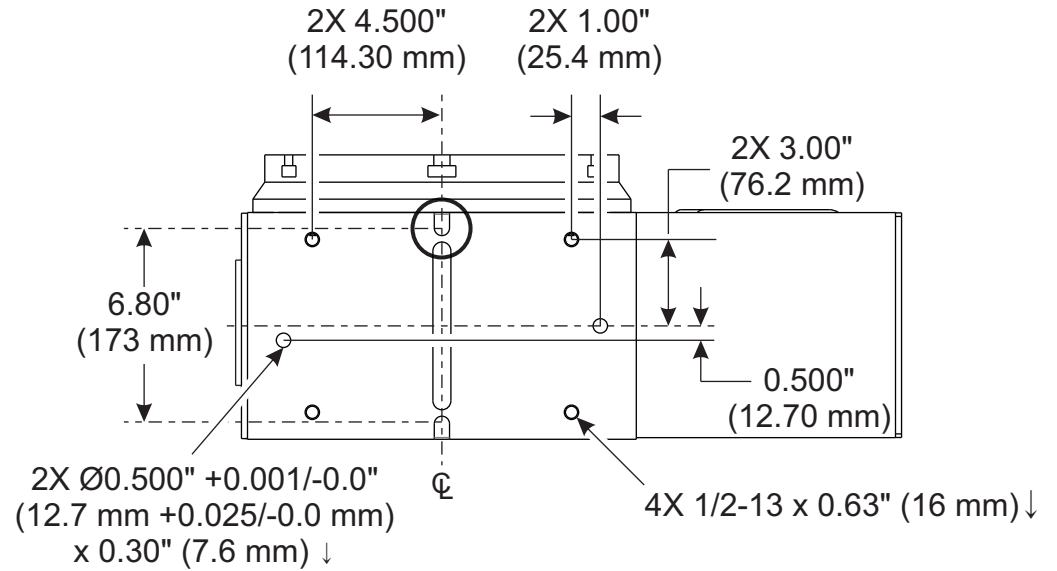
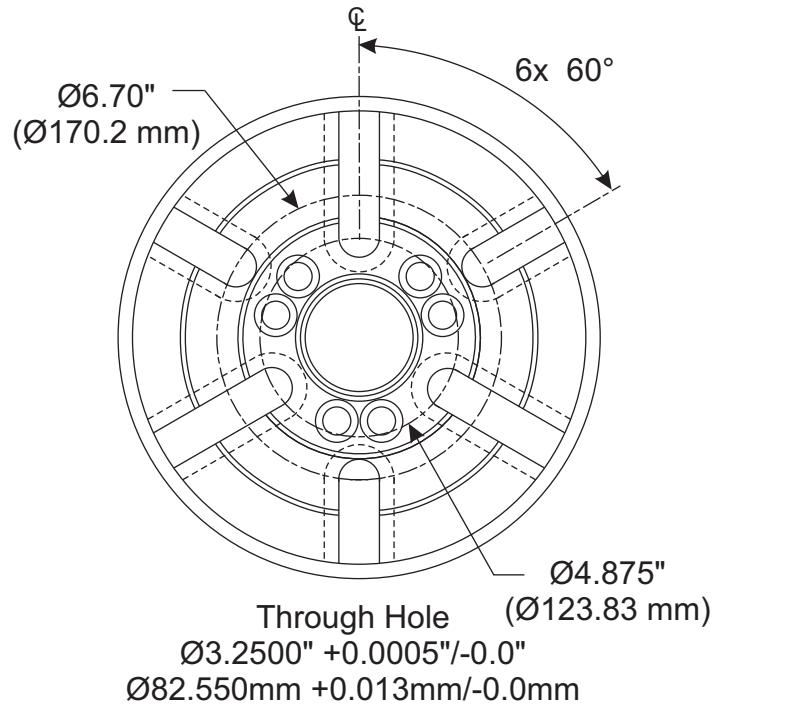


Front View

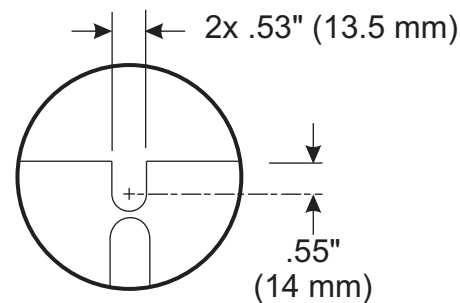
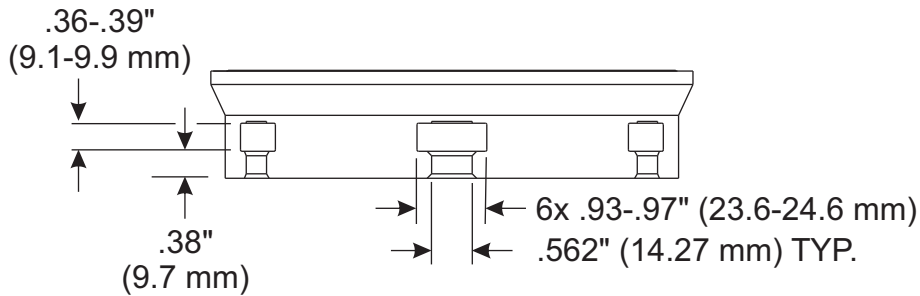


HRT310 Machine Layout Drawing

HRT310 Platter Dimensions



Bottom View



Front and Rear
Tie-Down Slots

For mounting instructions,
see Rotary Operator's Manual.

Go to www.haascnc.com
for further rotary specifications.

