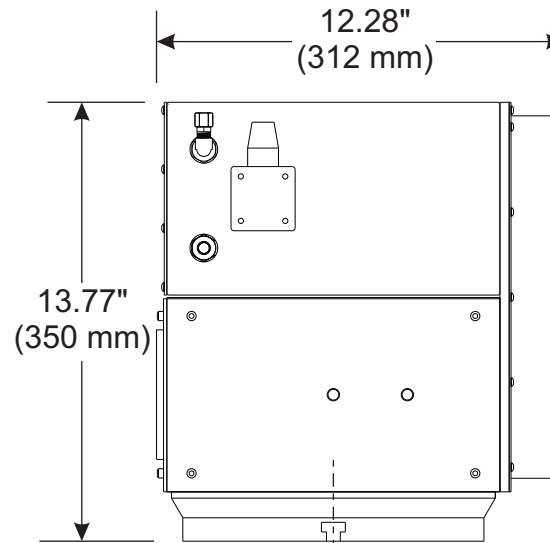
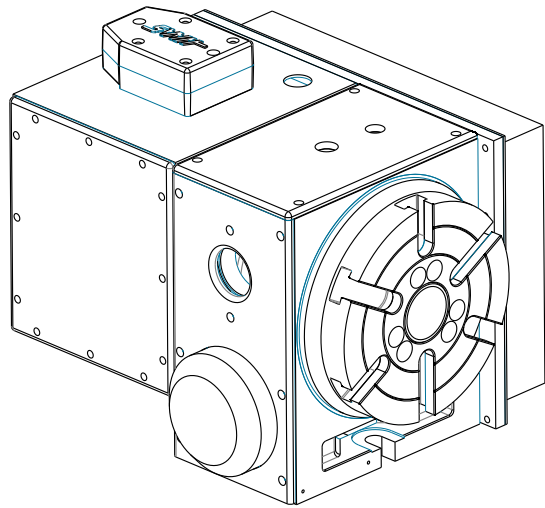
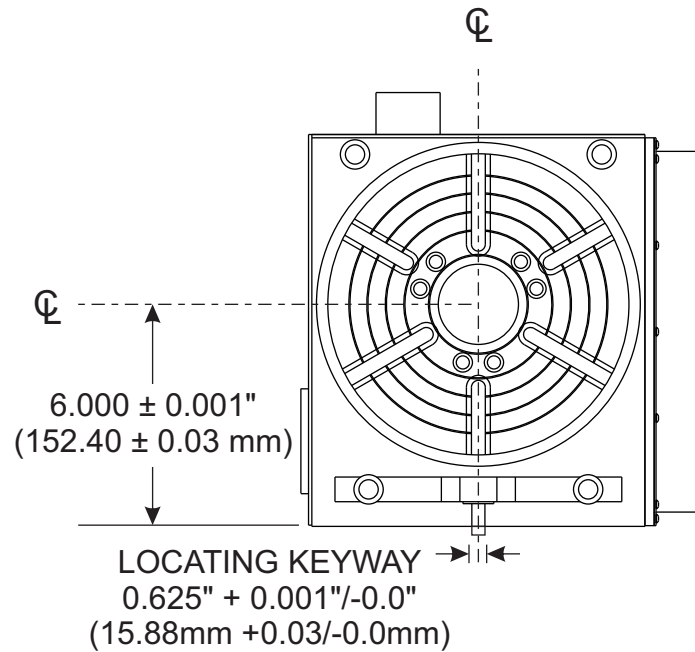
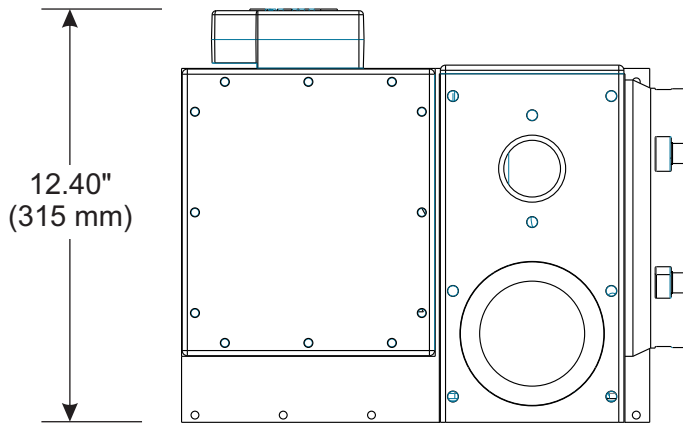


HRT210SP Machine Layout Drawing



Top View

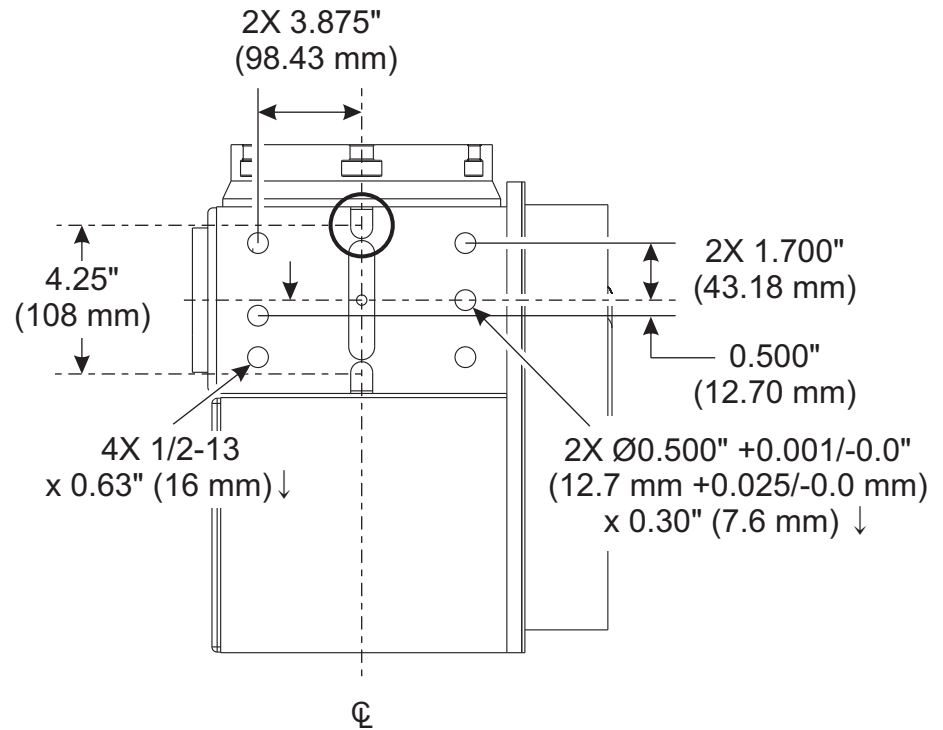
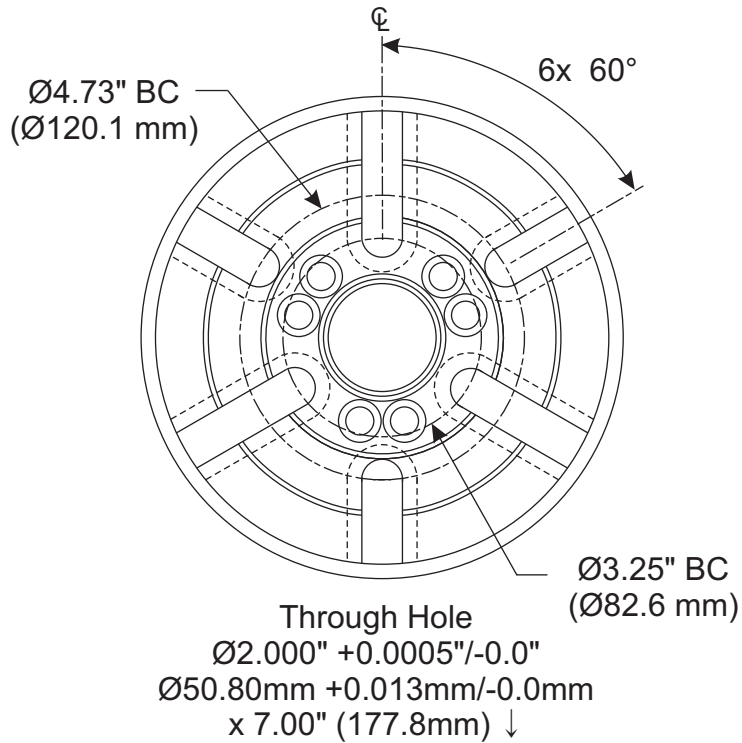


Front View

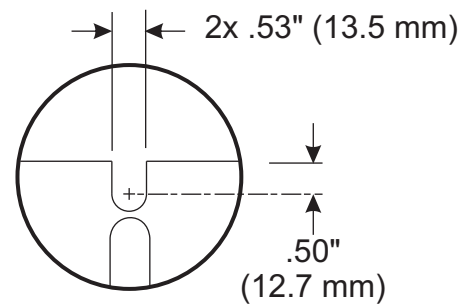
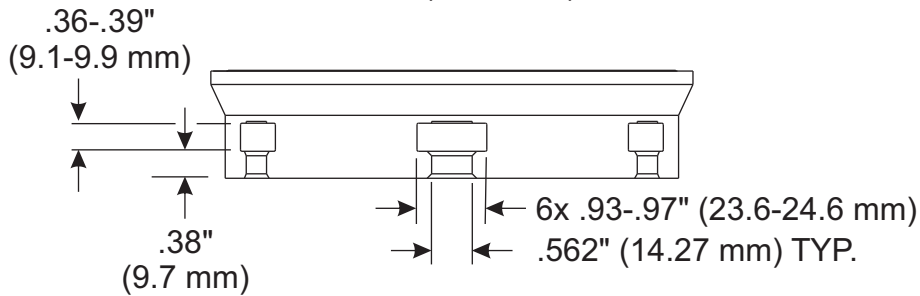


HRT210SP Machine Layout Drawing

HRT210SP Platter Dimensions



Bottom View



Front and Rear Tie-Down Slots

For mounting instructions, see Rotary Operator's Manual.

Go to www.haascnc.com for further rotary specifications.

