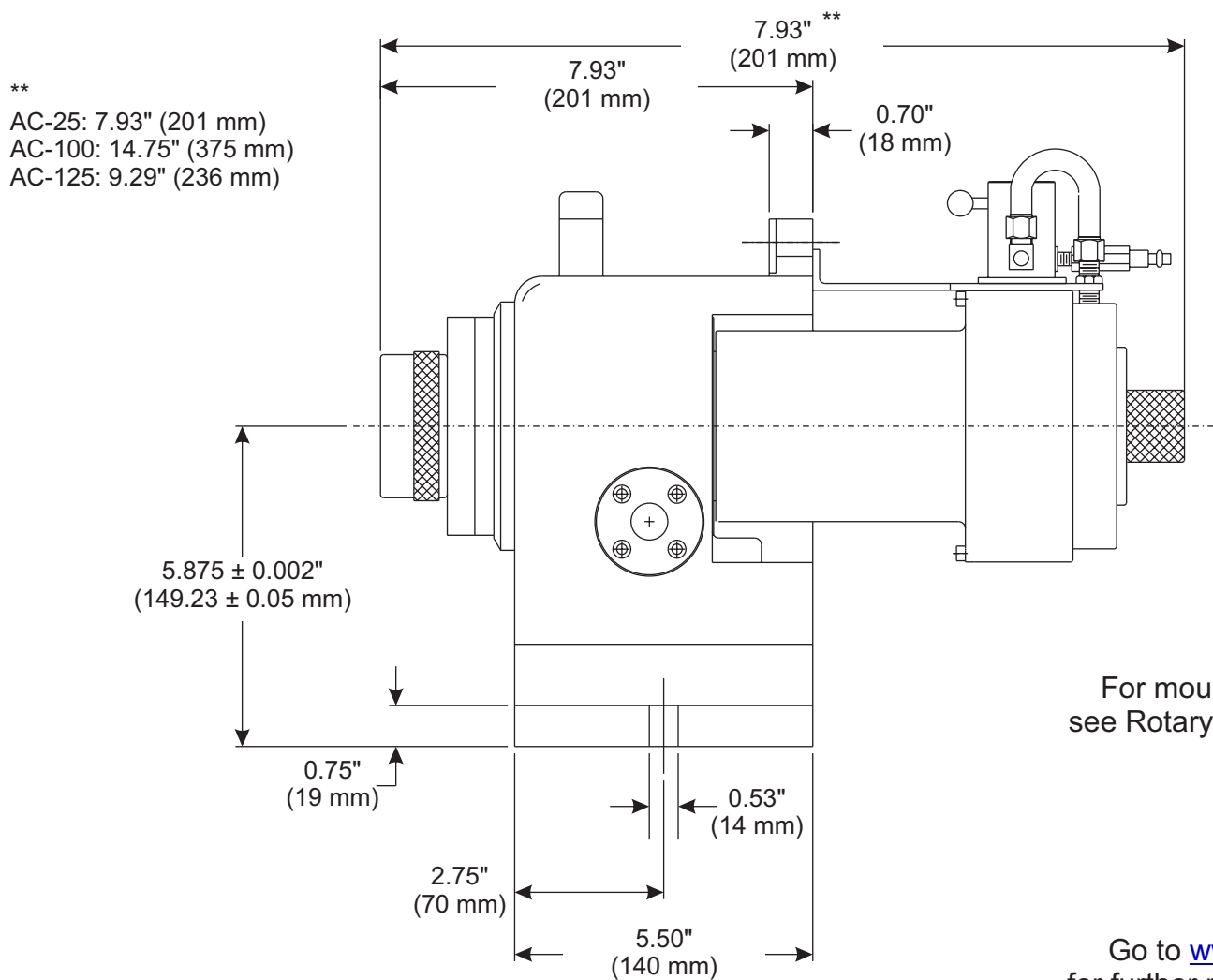
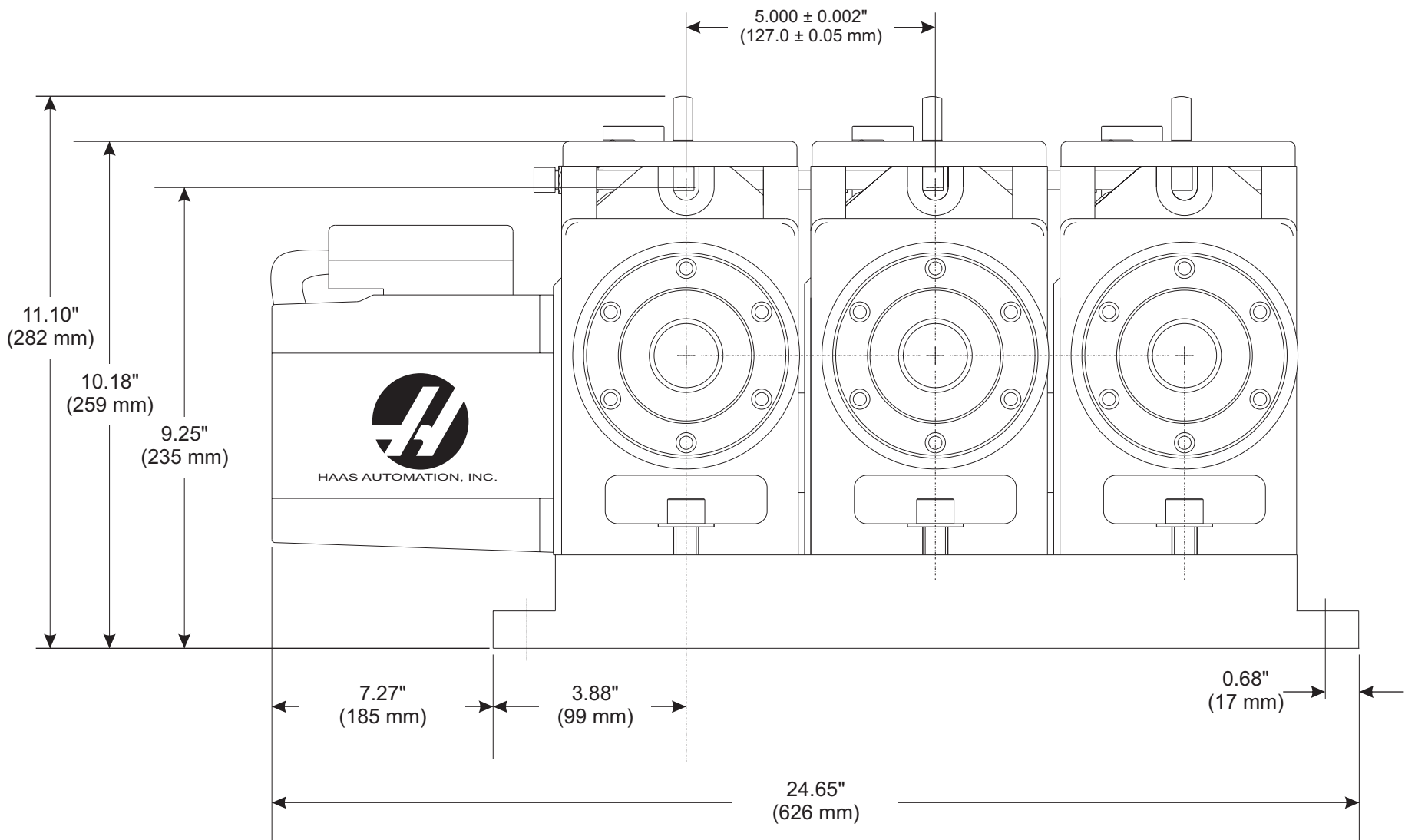


# HA5C3 Machine Layout Drawing



For mounting instructions,  
see Rotary Operator's Manual.

Go to [www.haascnc.com](http://www.haascnc.com)  
for further rotary specifications.