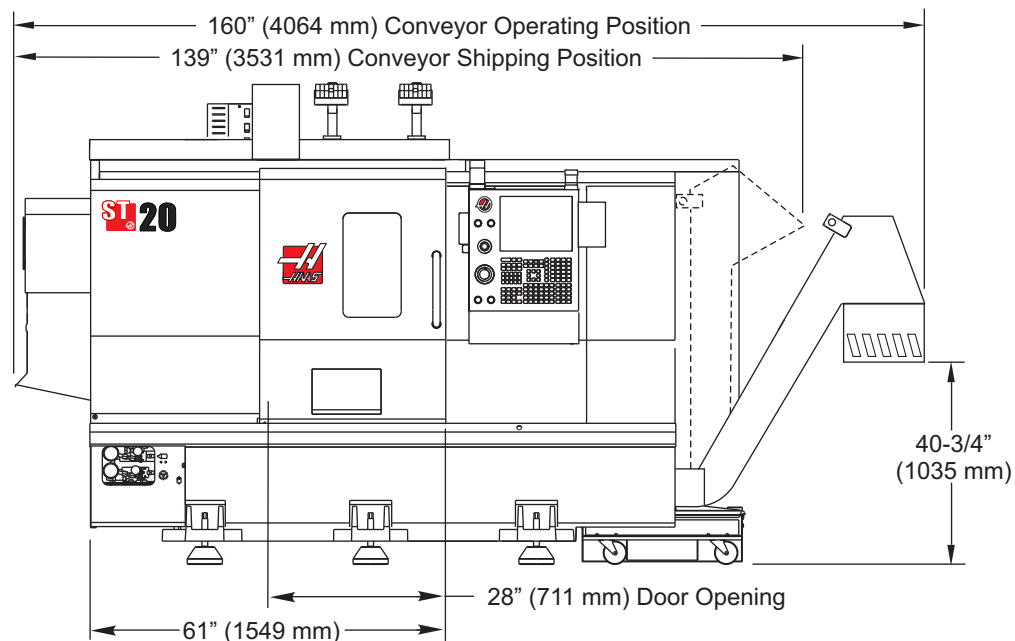
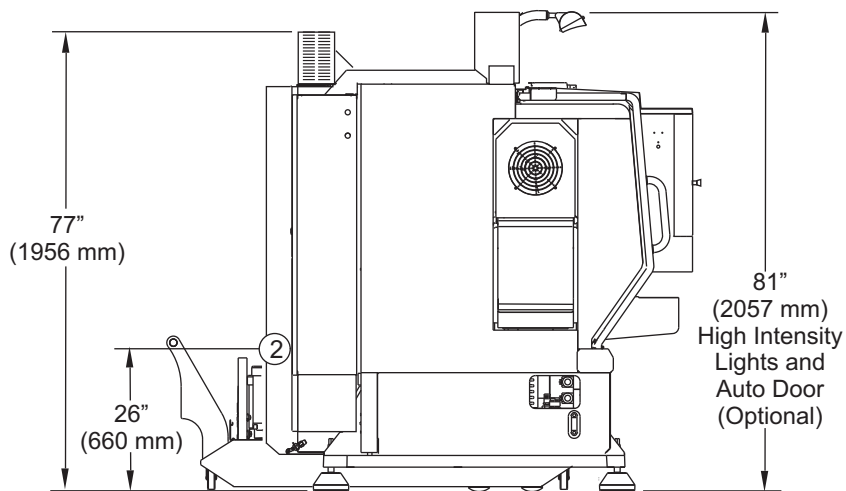
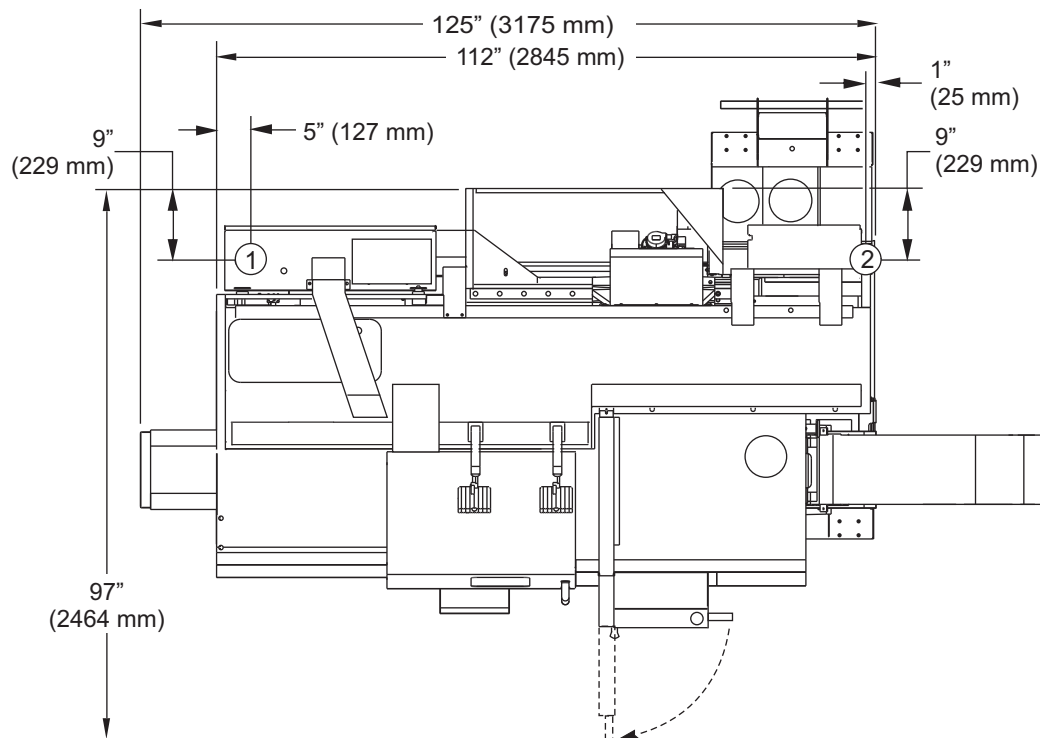


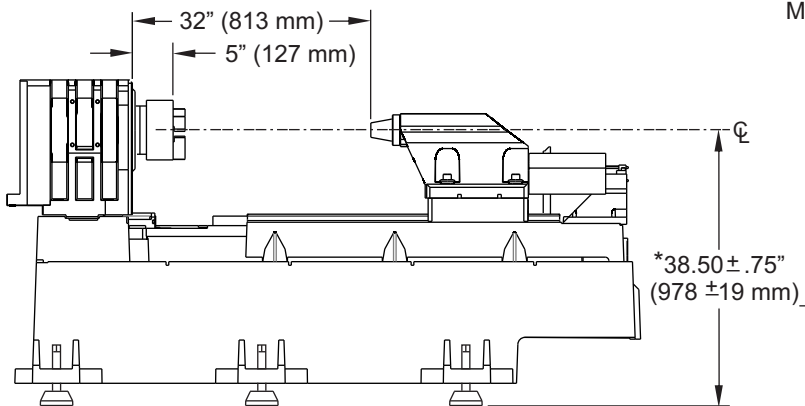
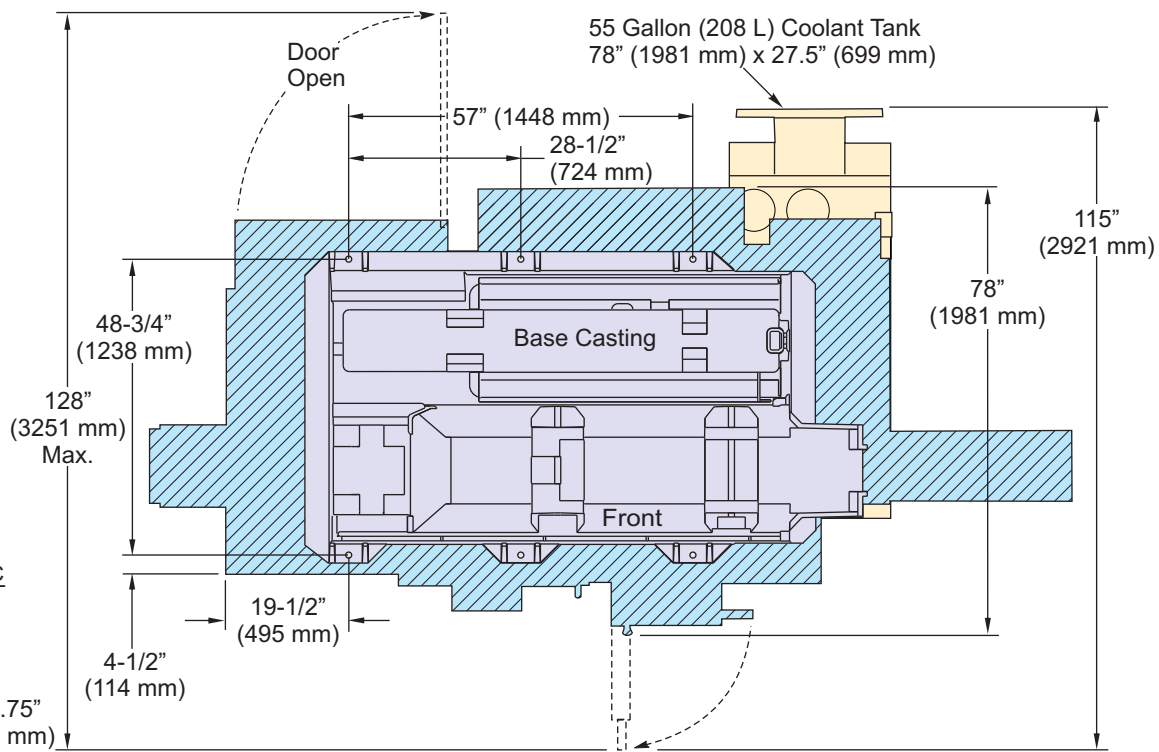
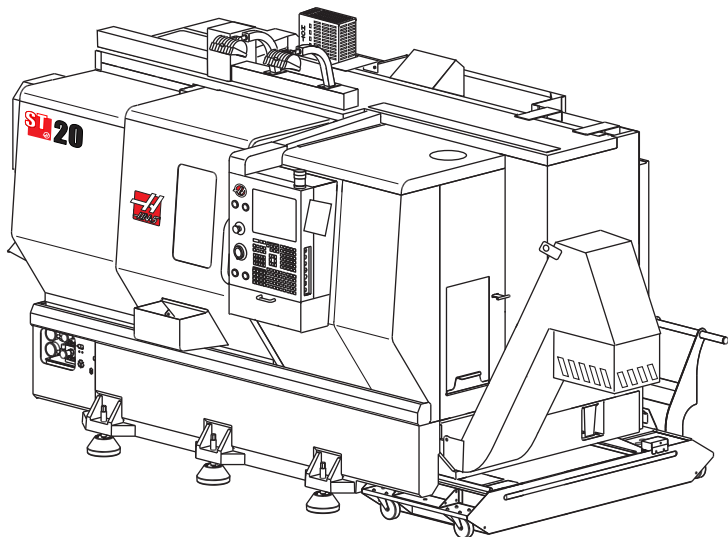
6X Leveling Pad Pin Dimension

- ① Electrical Connection
- ② Air Connection

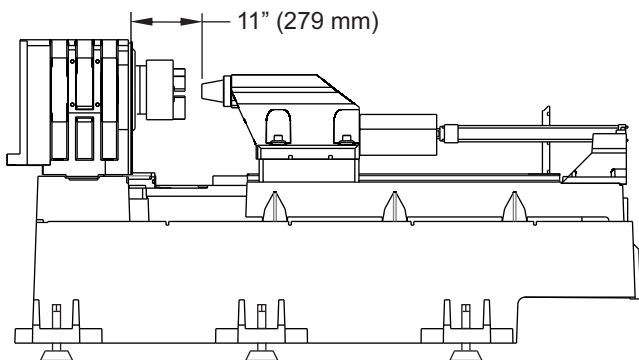


Minimum distance required to remove conveyor from lathe 124" (3150 mm).

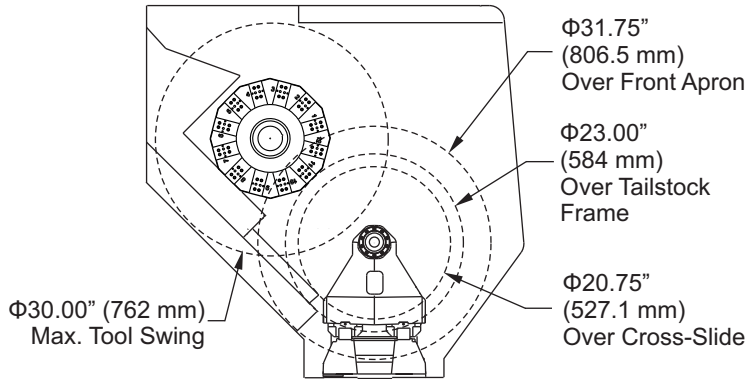
Minimum distance required to remove conveyor from lathe 75" (1905 mm) when conveyor is folded at 90 degrees and folded down as it is pulled out.



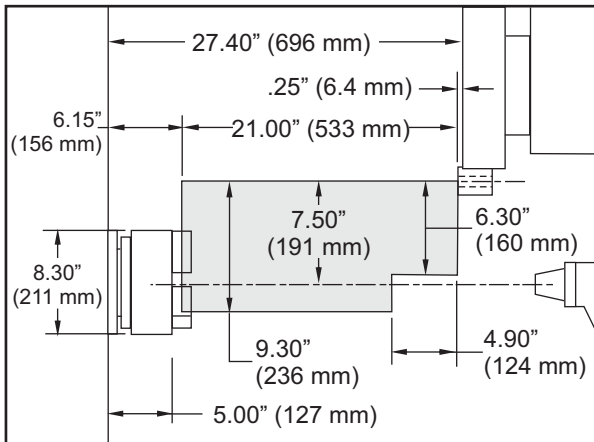
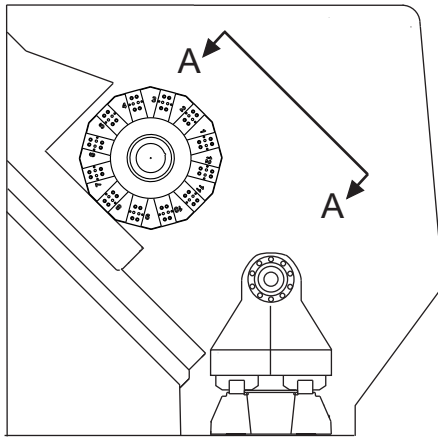
*Spindle center heights from floor, may vary due to leveling screw adjustments.



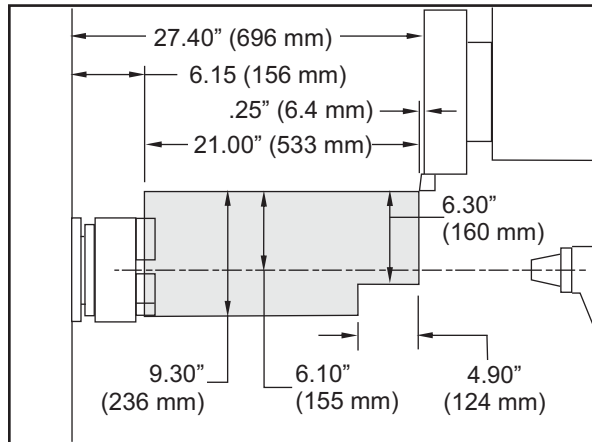
ST-20/25 Tailstock Travel #4 Morse Taper



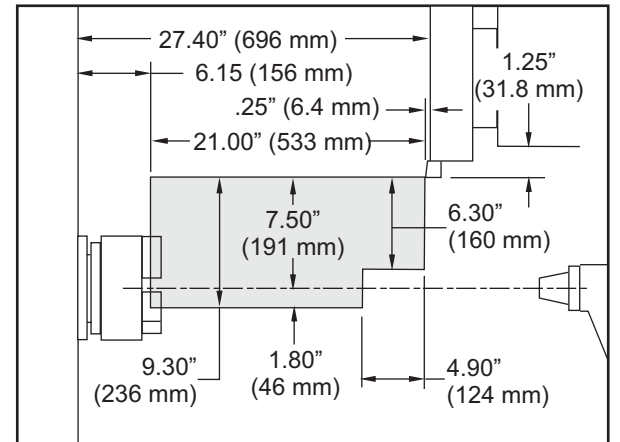
ST-20/25 Tool Swing Envelope Turret at Home Position 12-Station BOT Turret Standard 12-Station VDI Turret Standard in HAE only



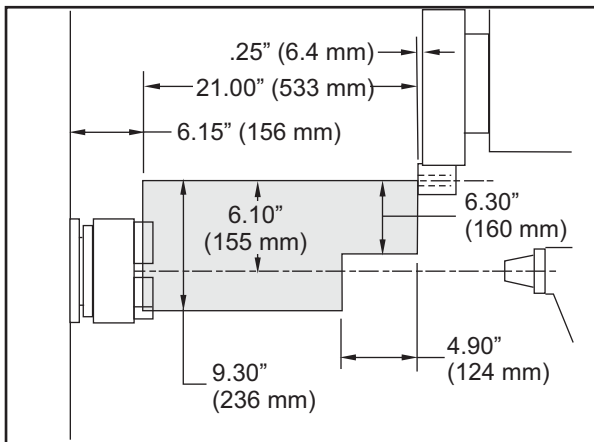
BOT ID



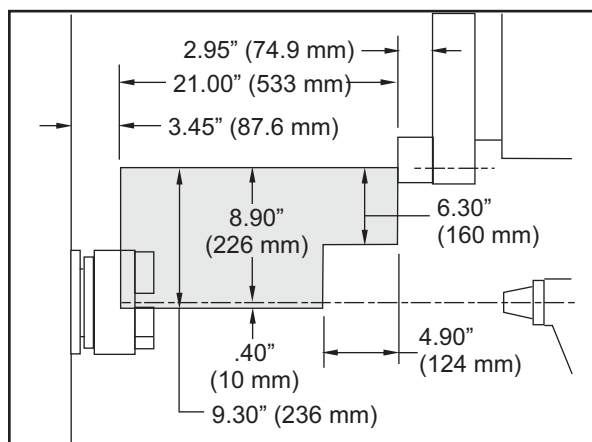
VB12 OD



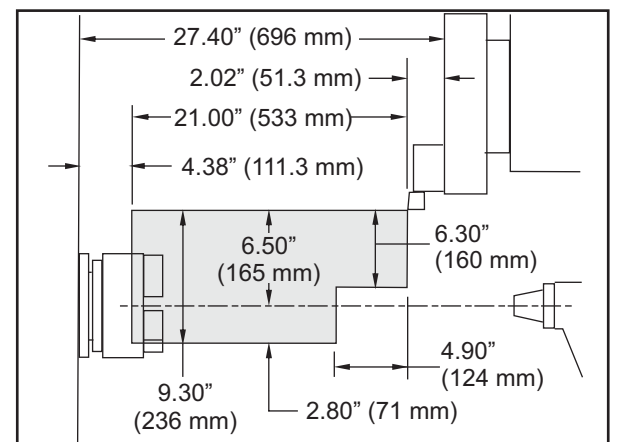
BOT OD



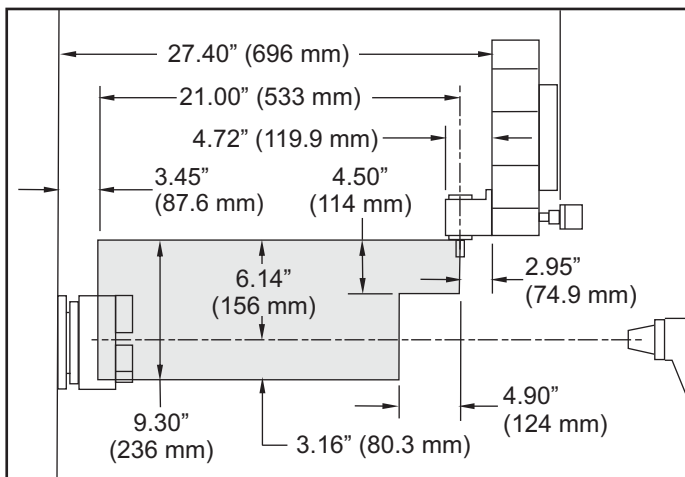
VB12 BOT ID



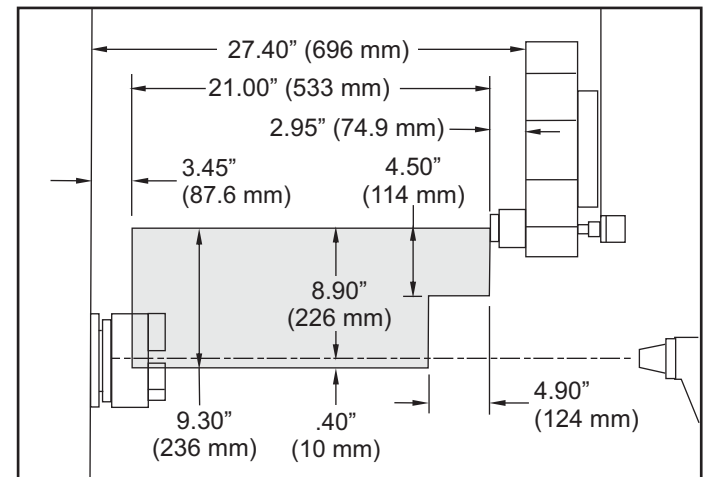
VDI ID, VB12 VDI ID



VDI OD, VB12 VDI OD

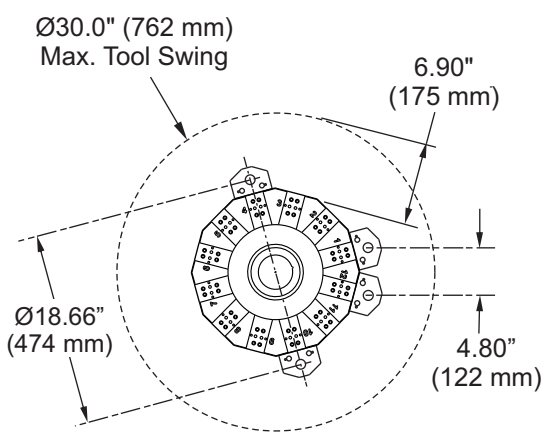


LIVE RADIAL TOOL

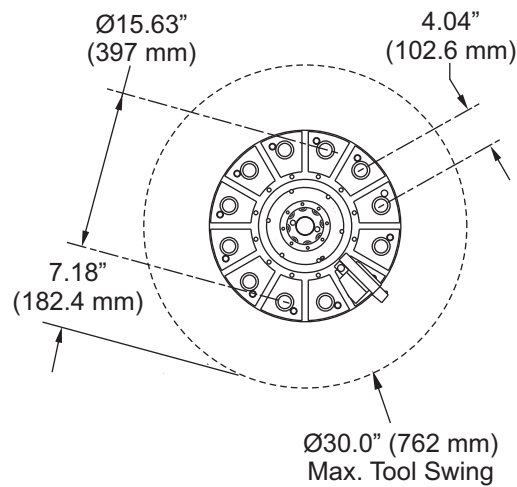


LIVE AXIAL TOOL

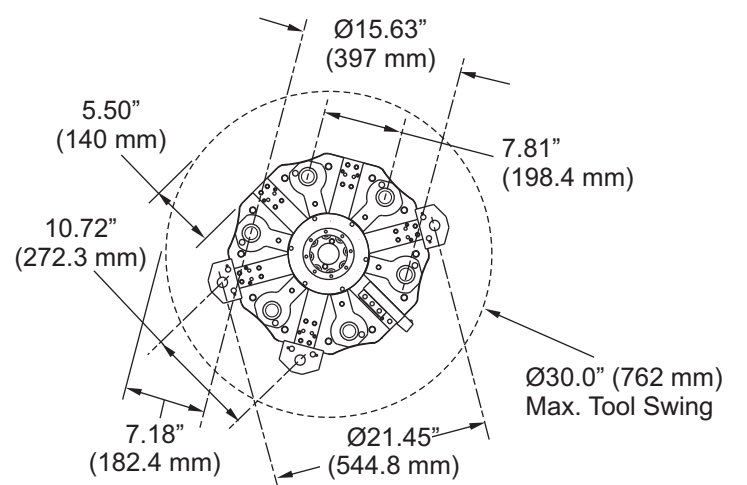
View A-A ST-20/25 Cut Envelope Diagrams



12-Station BOT Turret Standard



12-Station VDI Turret Option



12-Station Hybrid VB12 Turret Option

ST-20/25 Tool Interference Drawings