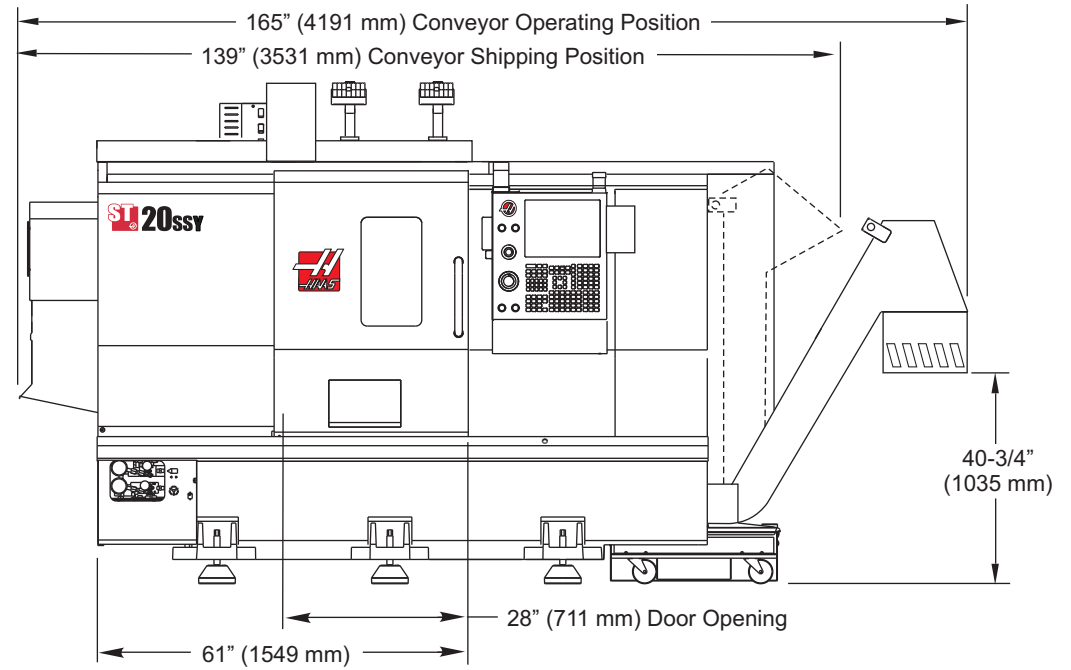
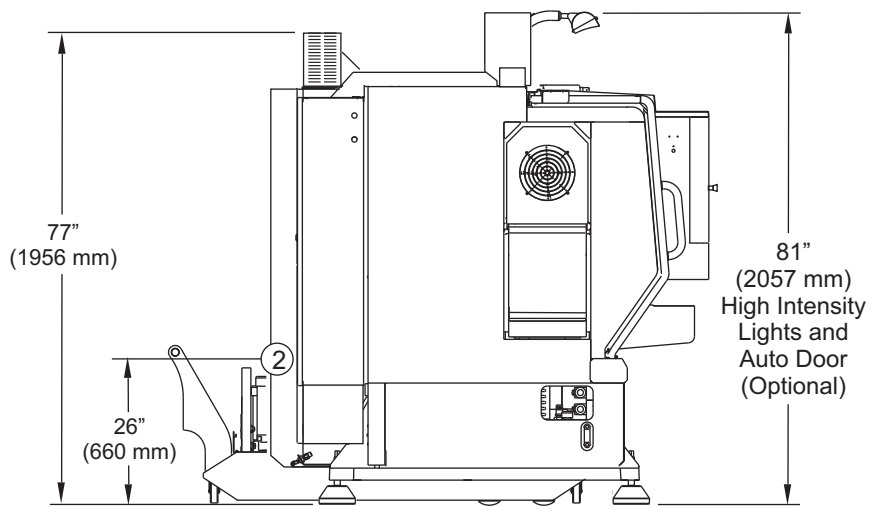
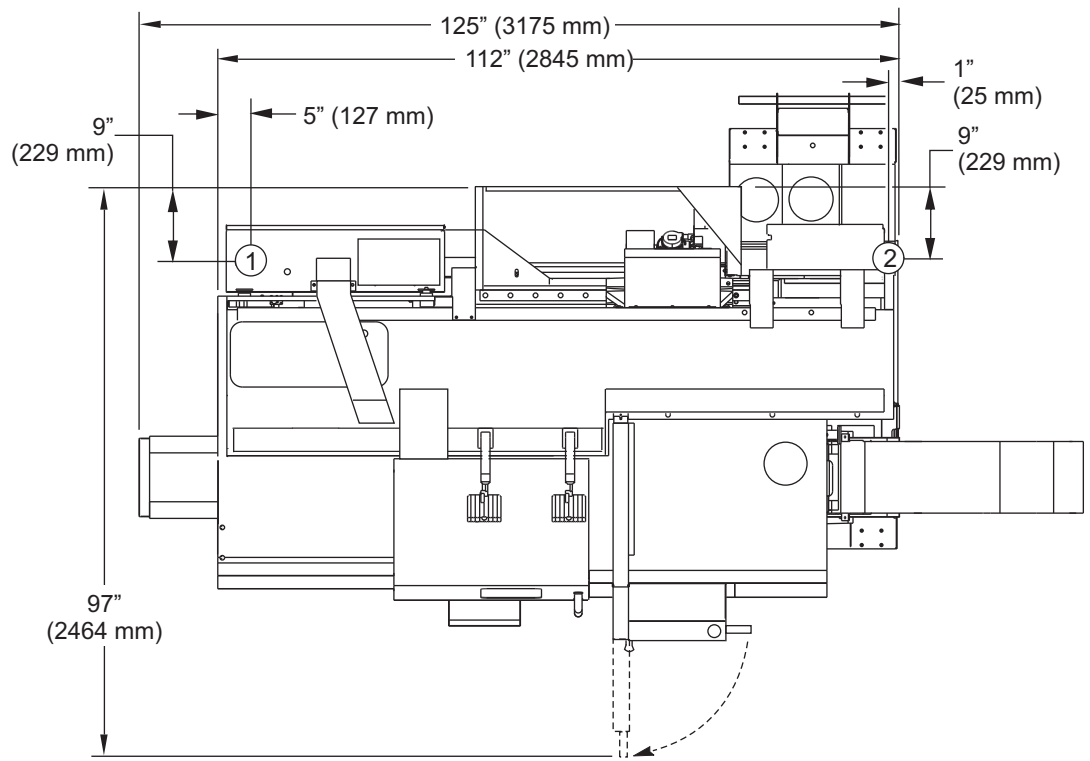


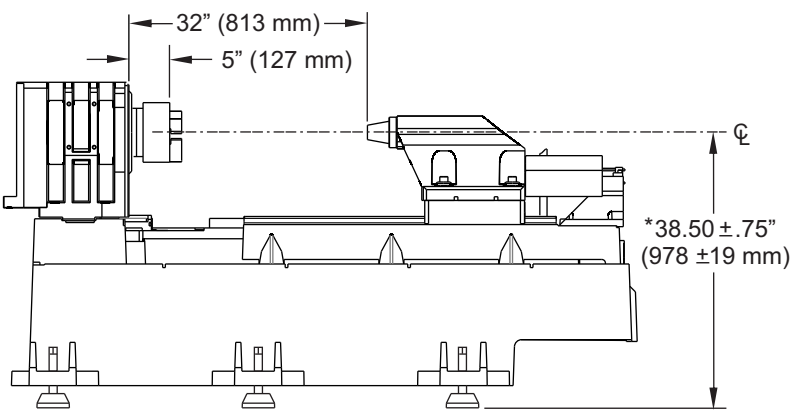
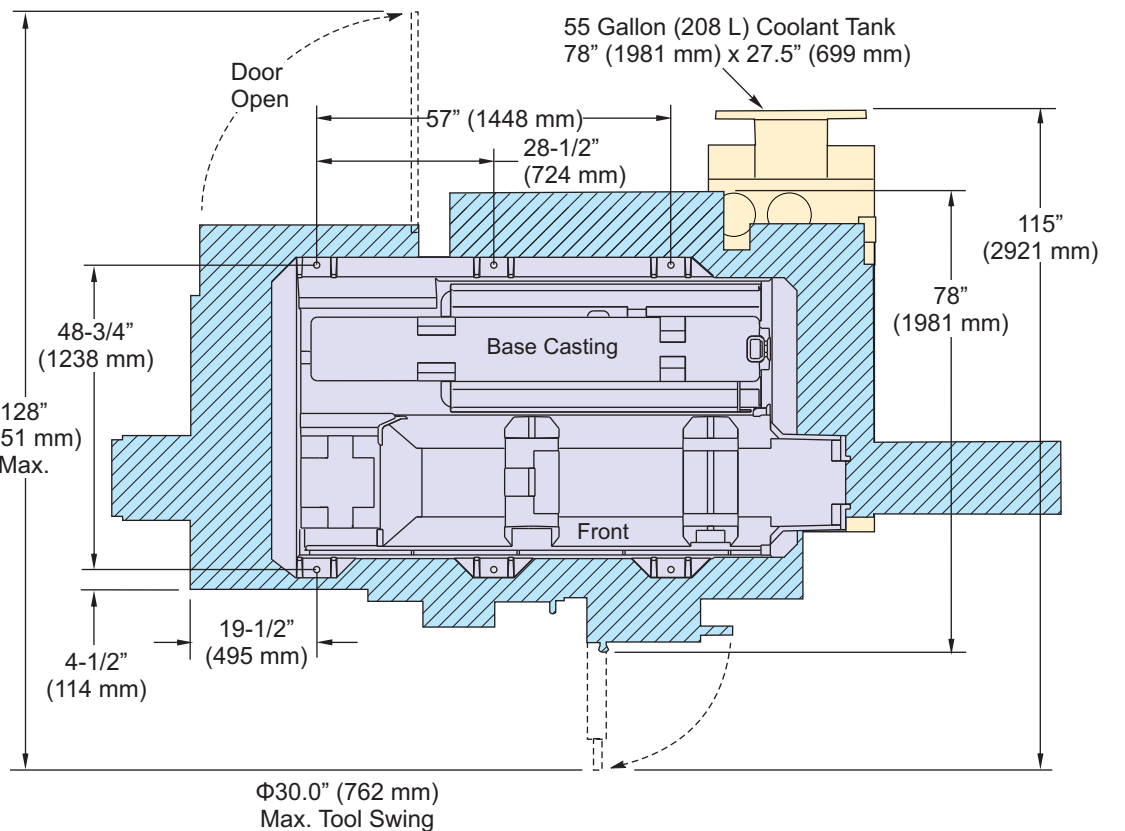
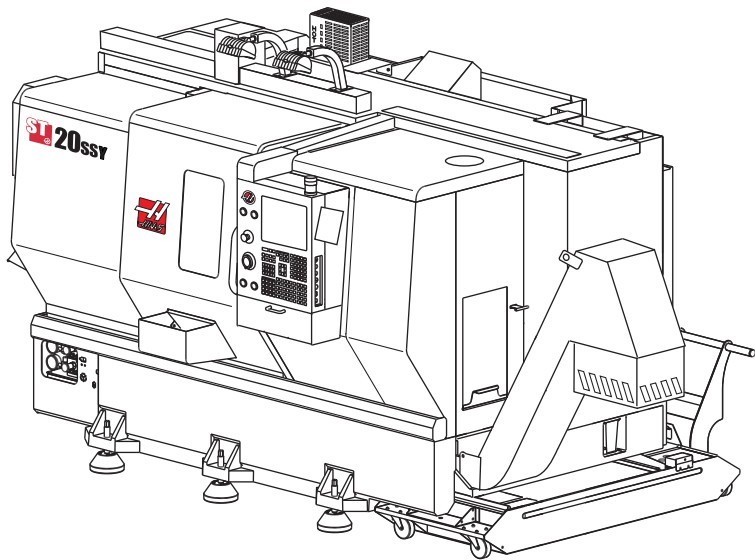
6X Leveling Pad Pin Dimension

- ① Electrical Connection
- ② Air Connection

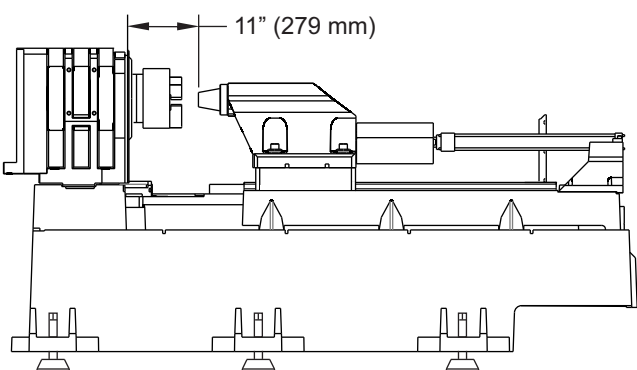


Minimum distance required to remove conveyor from lathe 124\"/>

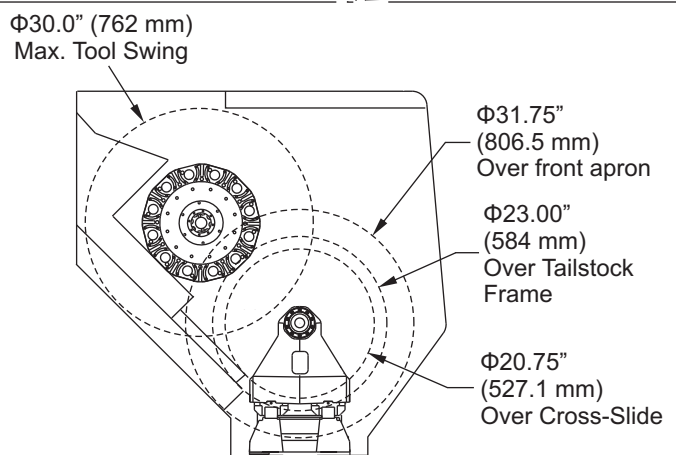
Minimum distance required to remove conveyor from lathe 75\"/>



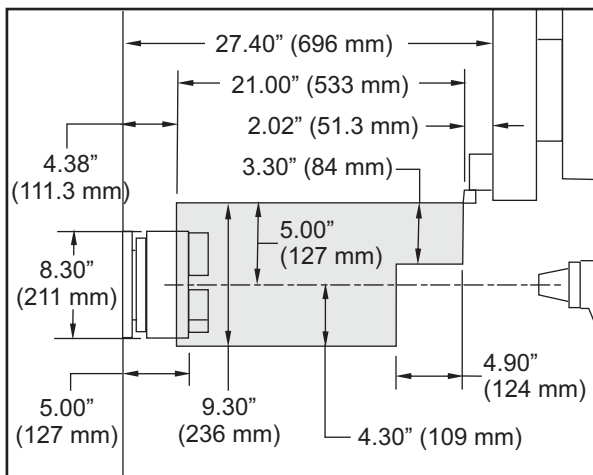
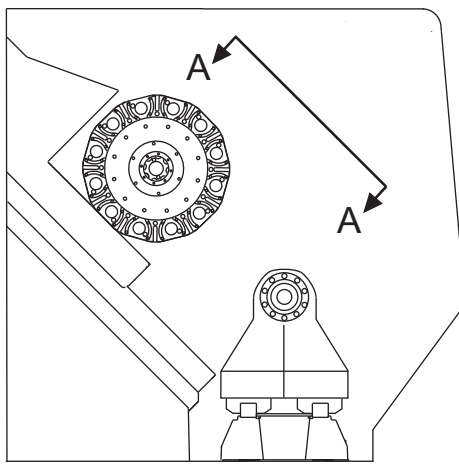
\* Spindle center heights from floor, may vary due to leveling screw adjustments.



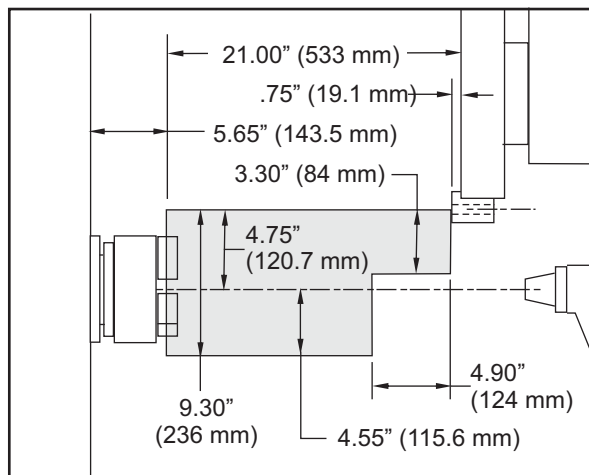
ST-20SSY Tailstock Travel  
#4 Morse Taper



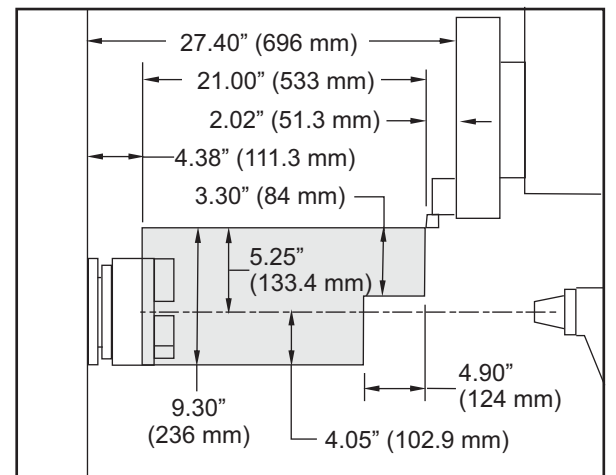
ST-20SSY Tool Swing Envelope  
Turret at Home Position  
24-Station Hybrid VB24 Turret Standard



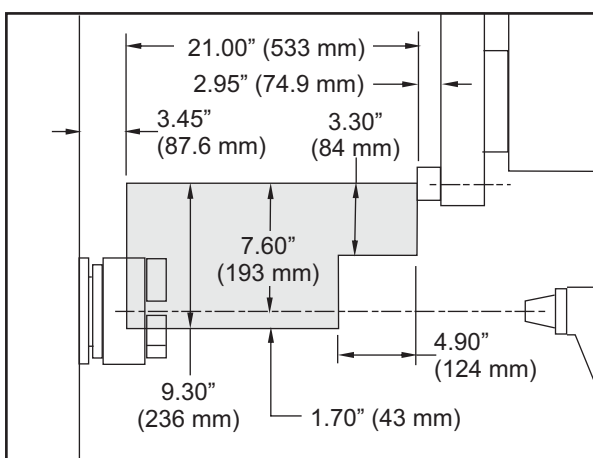
VB24 BOT OD - Face Mount 3/4



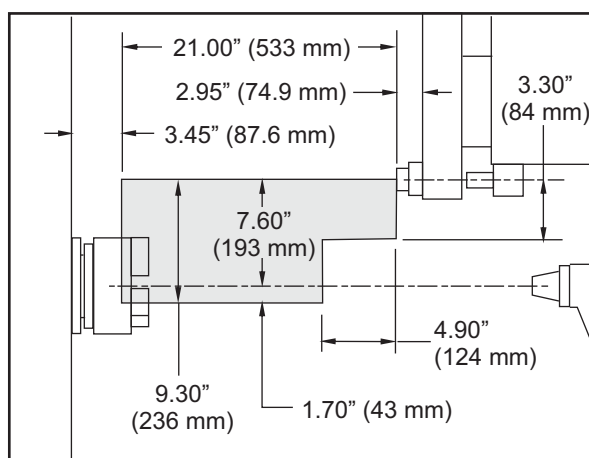
VB24 BOT ID



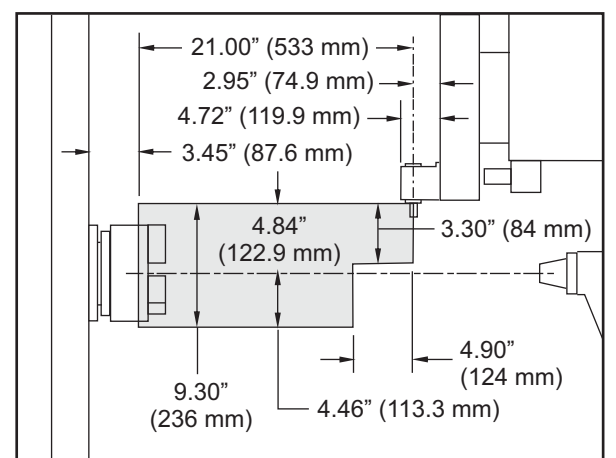
VB24 VDI OD



VB24 VDI ID

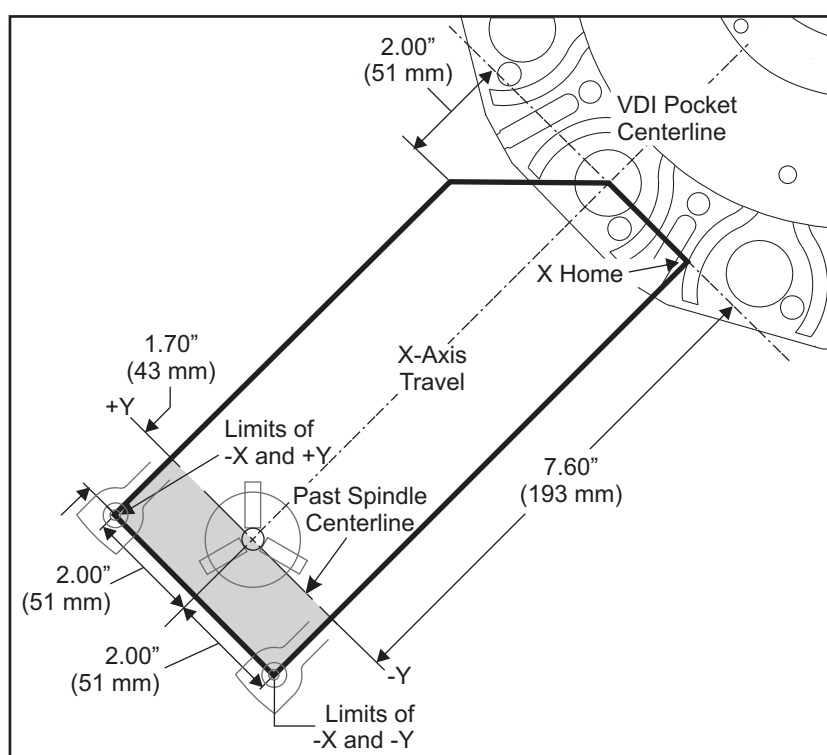


LIVE AXIAL TOOL



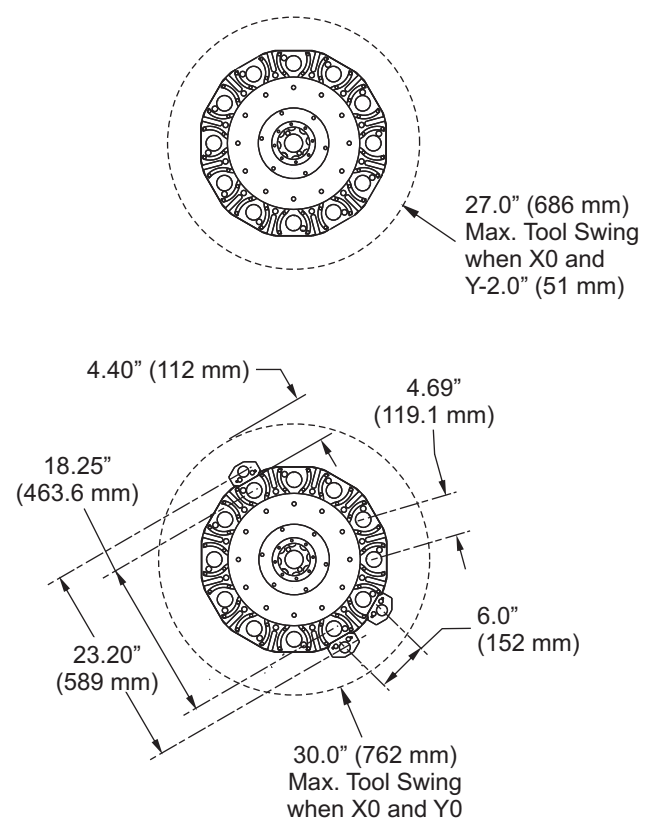
LIVE RADIAL TOOL

View A-A ST-20SSY Cut Envelope Diagrams



The position of the work envelope will shift when using Live Radial tools. The length the cutting tool extends from the centerline of the tool pocket is the distance the envelope shifts. The above illustration demonstrates the work envelope in relation to the center of the VDI tool pocket.

Y-Axis Travel Envelope



24-Station Hybrid VB24 Turret Standard

ST-20SSY Tool Interference Drawings