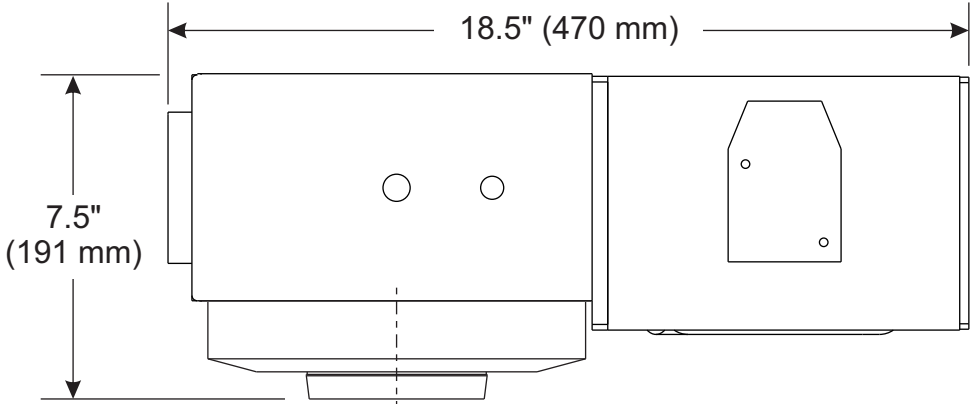
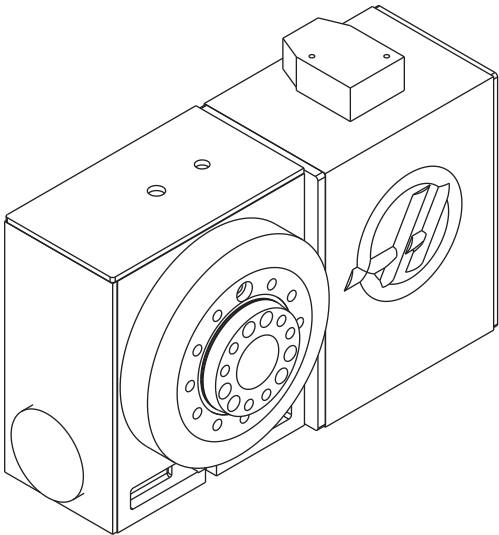
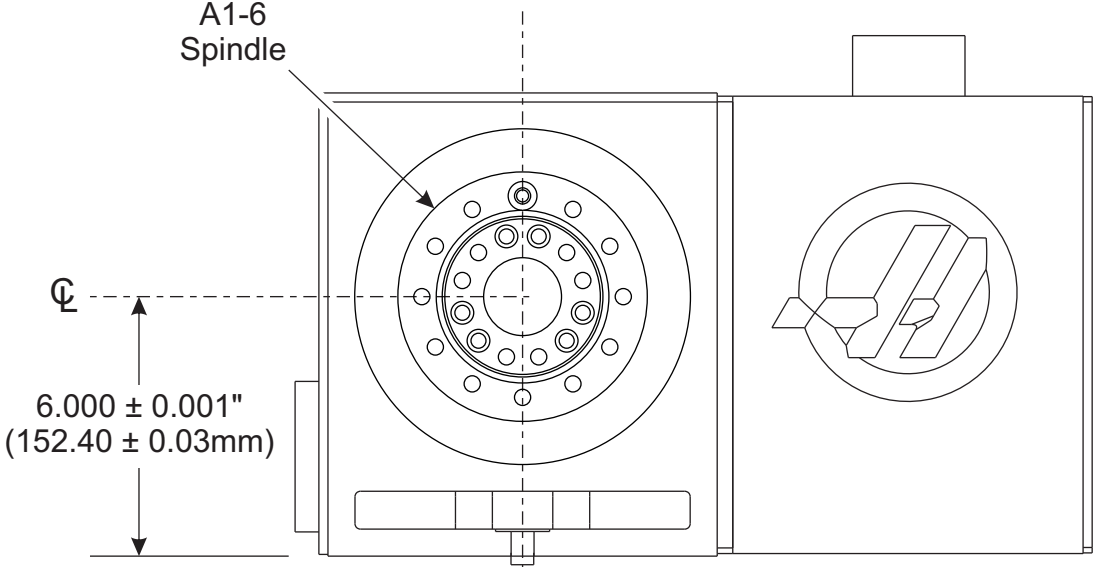
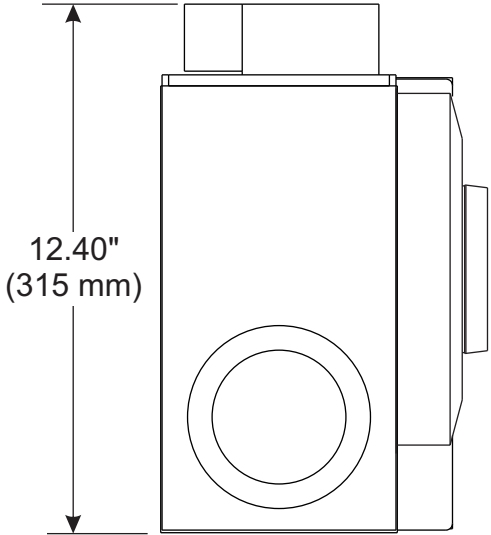


# HRTA6 Machine Layout Drawing



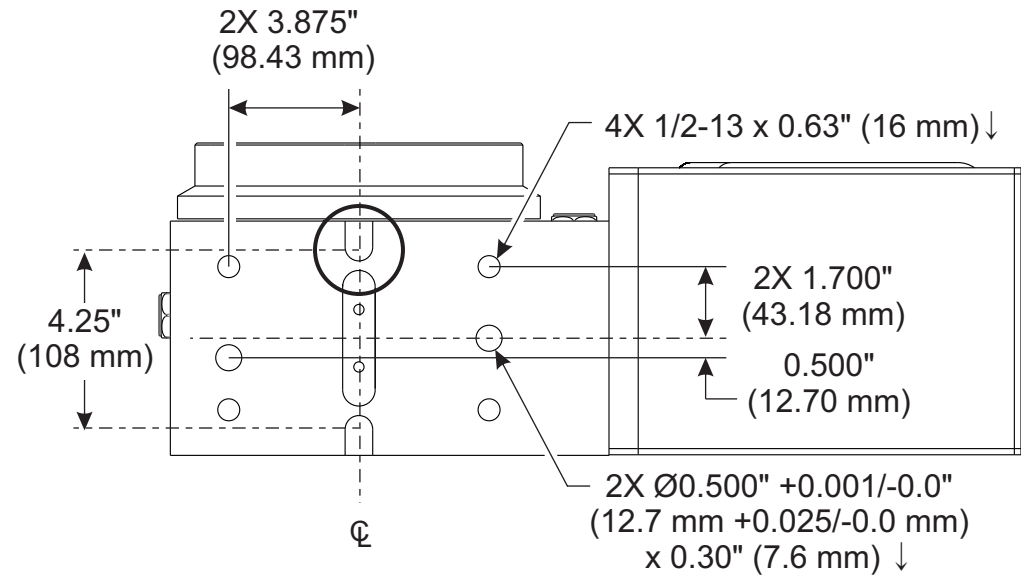
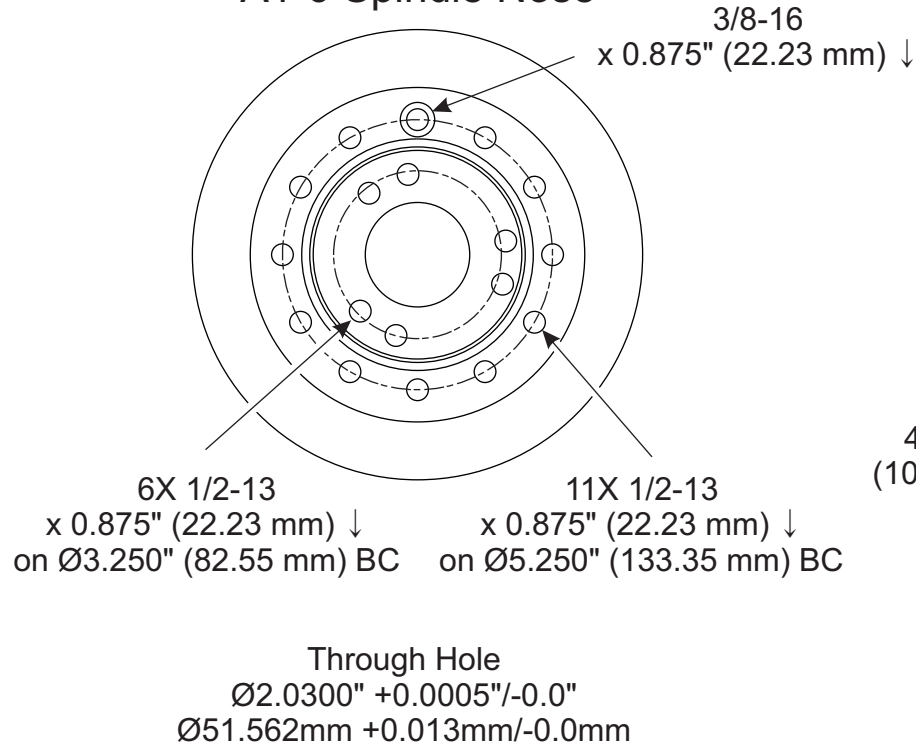
**Top View**



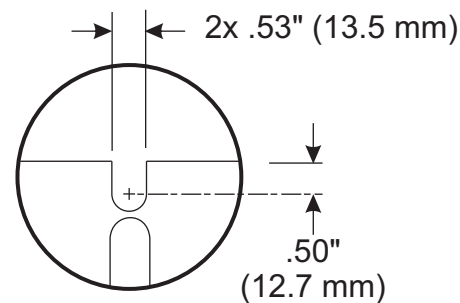
**Front View**

# HRTA6 Machine Layout Drawing

## HRTA6 Platter A1-6 Spindle Nose



## Bottom View



Front and Rear  
Tie-Down Slots

For mounting instructions,  
see Rotary Operator's Manual.

Go to [www.haascnc.com](http://www.haascnc.com)  
for further rotary specifications.

